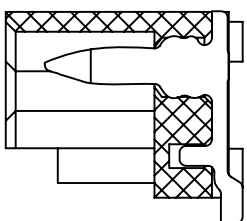
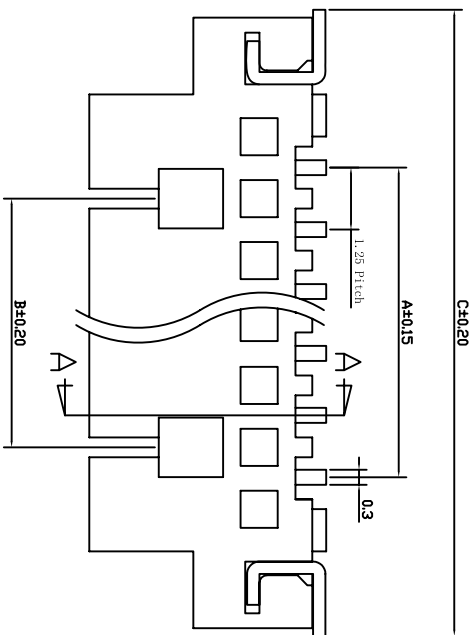
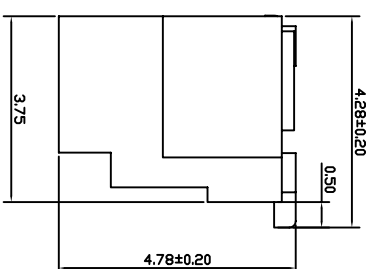


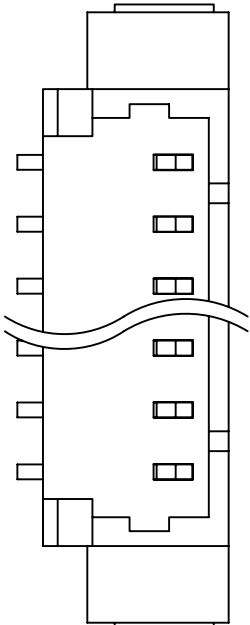
REV.	ECN NO.	LOCAS.	DESCRIPTION	DATE	DESIGN
A0					HANG



Section A-A

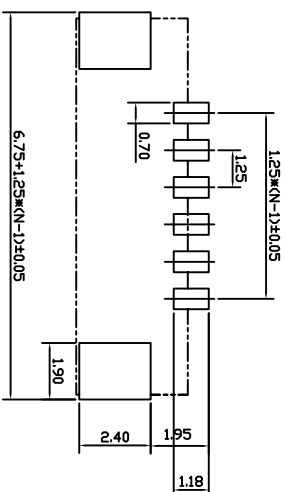


Pin 数	DIM=A	DIM=B	DIM=C
2	1.25	/	7.62
3	2.50	/	8.87
4	3.75	1.25	10.12
5	5.00	2.50	11.37
6	6.25	3.75	12.62
7	7.50	5.00	13.87
8	8.75	6.25	15.12
9	10.00	7.50	16.37
10	11.25	8.75	17.62
11	12.50	10.00	18.87
12	13.75	11.25	20.12
13	15.00	12.50	21.37
14	16.25	13.75	22.62
15	17.50	15.00	23.87
16	18.75	16.25	25.12
17	20.00	17.50	26.37
18	21.25	18.75	27.62
19	22.50	20.00	28.87
20	23.75	21.25	30.12

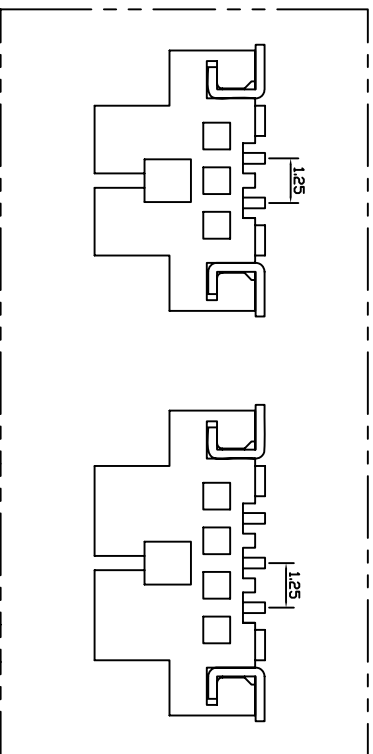


温度范围: -25~+85℃  
 额定电压: 50V AC, DC  
 额定电流: 0.5A AC, DC  
 接触电阻: 0.04Ω  
 绝缘电阻: 800MΩ  
 耐压: 200V AC/minute

材料: LCP (UL94V-0) 本色  
 壳体: 磷青铜(镀锡)  
 接触片: 磷青铜(镀锡)  
 焊片: 磷青铜(镀锡)



P.C.B Layout



DIM	TOL	DIM	TOL
X.	±4.0'	X.	±0.30
X.X'	±3.0'	X.X	±0.20
X.XX'	±2.0'	X.XX	±0.10
X.XXX'	±1.0'	X.XXX	±0.05

DRAW NO.	125-01B-XX	DATE	
DESIGN:	HANG	070810	
CHECK:	WANGCM	070810	
APPROVED:	HUYX	070811	
DRAW NAME:		Water 1.25mm 立式贴片	
P/N NO.	v.F-125-01B-XXXX	FILE:	
UNIT:	mm	MODEL:	
SHEET:	N/A	REV. AO	SCALE N/A

**LASTAR**

Lastar Technology CO., LTD