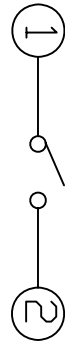
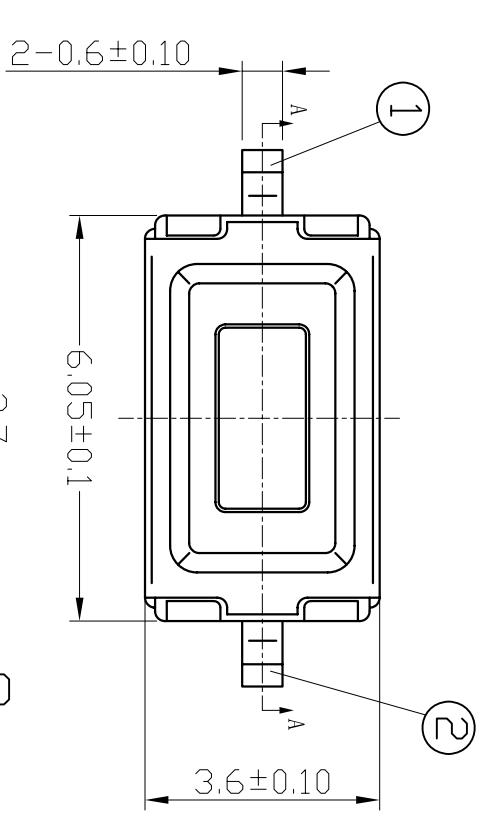
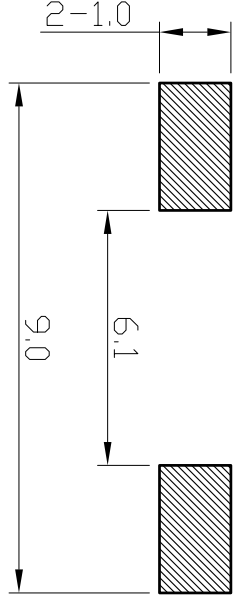


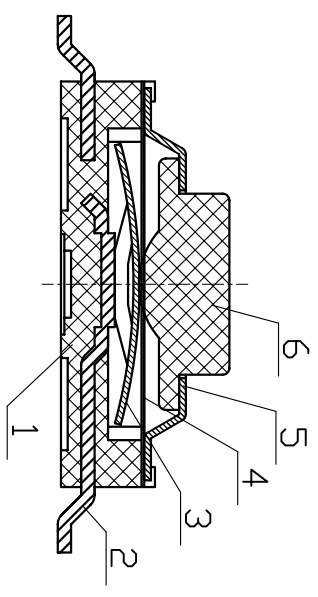
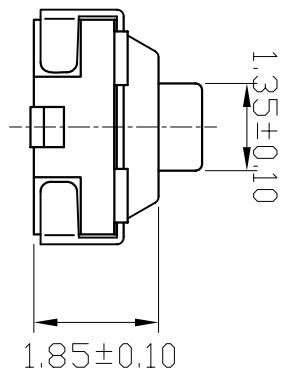
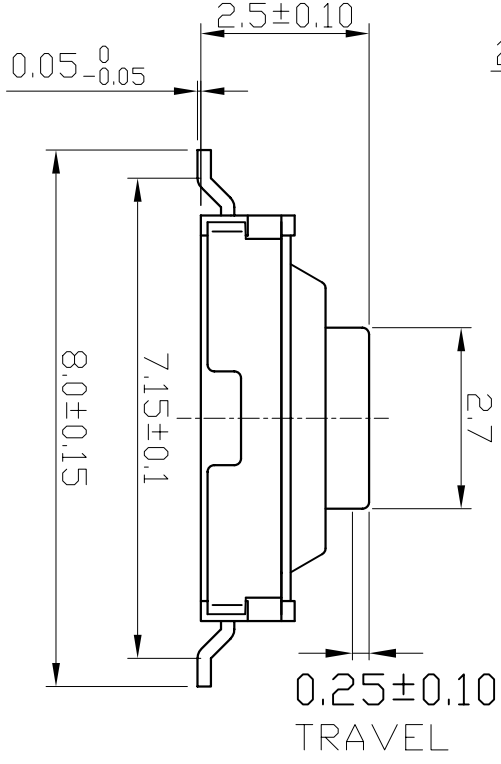
REV.	ECN NO.	LOCAS.	DESCRIPTION	DATE	DESIGN
AO			RELEASE TO CUSTOMER		HANG
B					HANG



CIRCUIT DIAGRAM



P.C.B Layout



1. BASE: PA6T/PA46, Black
  2. TERMINAL: BRASS, Ag plating
  3. CONTACT: STAINLESS STEEL, Ag plating
  4. TAPE: TI-1525ST
  5. COVER: STAINLESS STEEL
  6. STEM: PP/PA46, White
1. RATING : DC 12V 50mA  
 2. CONTACT RESISTANCE : 100m Ω MAX  
 3. FORCE: 180gf ± 30gf  
 4. LIFE: 50000 Cycles

**LASTAR**

Lastar Technology CO., LTD

DIM	TOL	DIM	TOL
X.	±0.30	X.	±4.0°
X.X	±0.25	X.X	±3.0°
X.XX	±0.20	X.XX	±2.0°
X.XXX	±0.10	X.XXX	±1.0°

THIS DRAWING CONTAINS INFORMATION THAT IS PROVIDED BY LASTAR TECHNOLOGY AND SHOULD NOT BE USED WITHOUT WRITTEN PERMISSION

DRAW NO.		DATE		DRAW NAME:	
DESIGN	HANG	090505		2Pin Tact Switch SMT	
CHECK	WANGCM	090506		P/N NO.	TS-63B2-2509
APPROVED	HUYX	090506		UNIT:	mm
				SHEET:	N/A
				MODEL:	
				REV. B	SCALE N/A