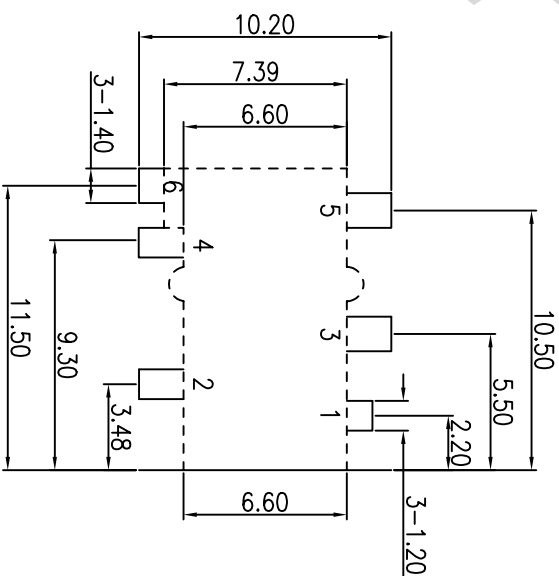
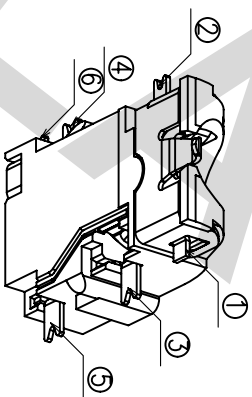
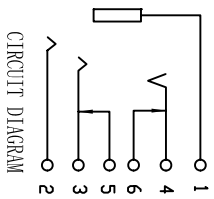
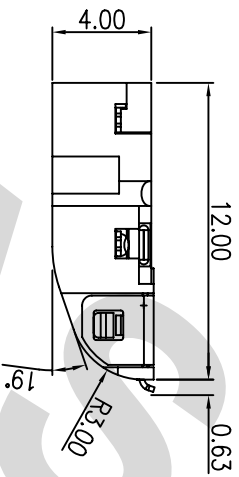
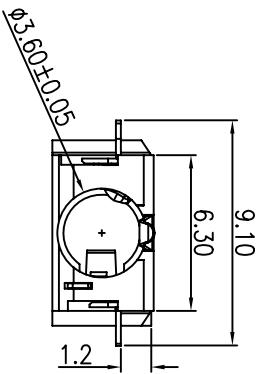
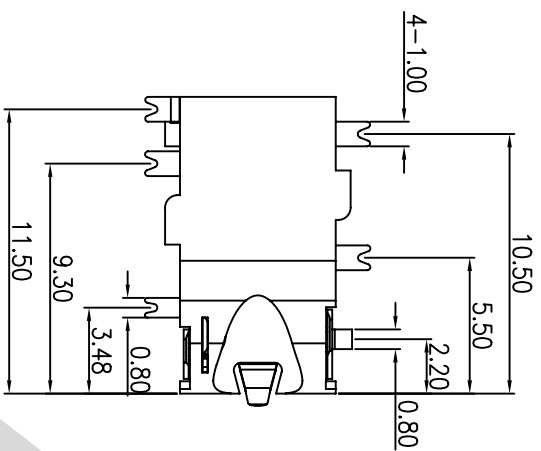
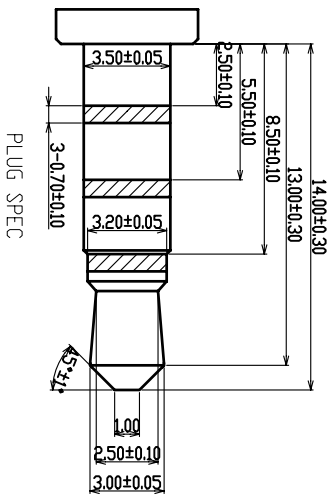


REV.	ECN NO.	LOCAS.	DESCRIPTION	DATE	DESIGN
A			RELEASE TO CUSTOMER	111120	HANG



- NOTES:
1. CONTACT CURRENT RATING: 1A.
 2. CONTACT RESISTANCE: 50 mΩ MAX.;
 3. INSULATION RESISTANCE: 1000Ω MIN.;
 4. DIELECTRIC WITHSTANDING: 500V AC MIN.;
 5. DURABILITY: 5,000 CYCLES MIN.;
 6. CONNECTOR MATING FORCES: 29.4N (3.00Kgf) MAX.;
 7. CONNECTOR UNMATING FORCES: 2.94N(0.30Kgf) MIN.;

ITEM	PART NAME	QTY	MATERIAL	DESCRIPTION	REMARK
⑦	HOUSING	1	HIGHT TEMPERATURE PLASTIC		Black
⑥	CONTACT F	1	PHOSPHOR BRONZE 0.20T	Gold Flash	
⑤	CONTACT E	1	BRASS 0.20T	Gold Flash	
④	CONTACT D	1	BeCu 0.20T	Gold Flash	
③	CONTACT C	1	BeCu 0.20T	Gold Flash	
②	CONTACT B	1	PHOSPHOR BRONZE 0.20T	Gold Flash	
①	CONTACT A	1	PHOSPHOR BRONZE 0.20T	Gold Flash	

DIM	TOL	DIM	TOL
X.	±0.30	X.	±4.0°
X.X	±0.25	X.X	±3.0°
X.XX	±0.20	X.XX	±2.0°
X.XXX	±0.10	X.XXX	±1.0°

THIS DRAWING CONTAINS INFORMATION THAT IS PROVIDED BY LASTAR TECHNOLOGY AND SHOULD NOT BE USED WITHOUT WRITTEN PERMISSION

LASTAR

Lastar Technology CO., LTD

DRAW NO.	DATE	DRAW NAME:	FILE:
L5002A-B06-3C0	110205	HANG	PJ-L5002A-B06-3C0
DESIGN	HANG	110205	
CHECK	WANGCM	110205	
APPROVED	HUYX	110205	

PHONE JACK 沉板1.4H 斜口

UNIT: mm SHEET: N/A

MODEL: REV. A SCALE N/A