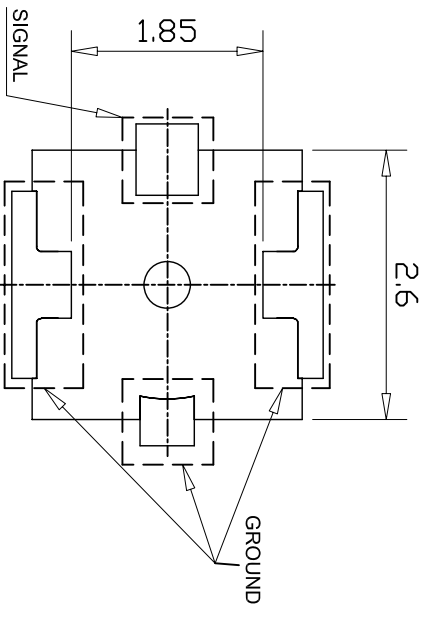
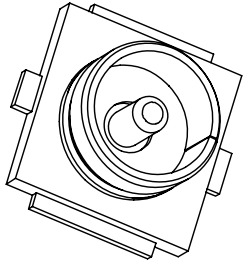
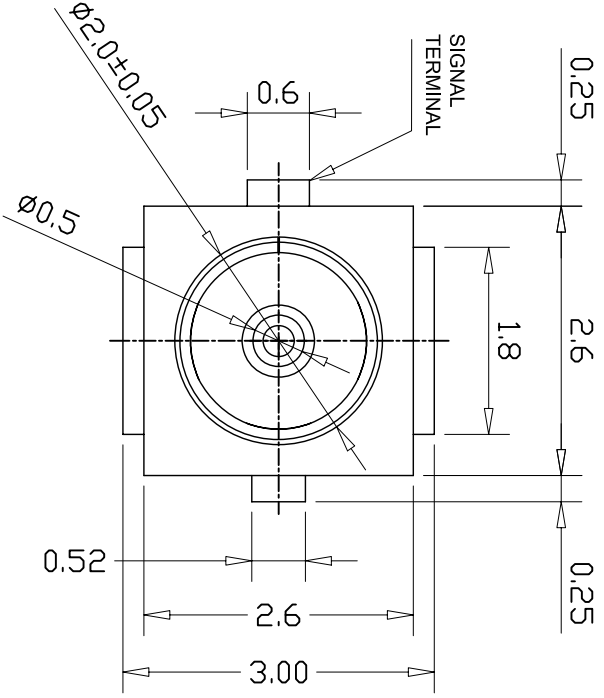
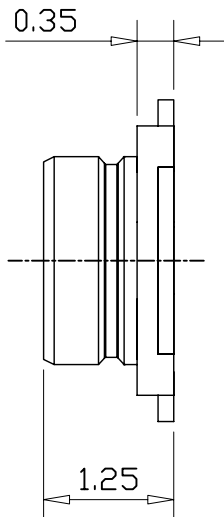


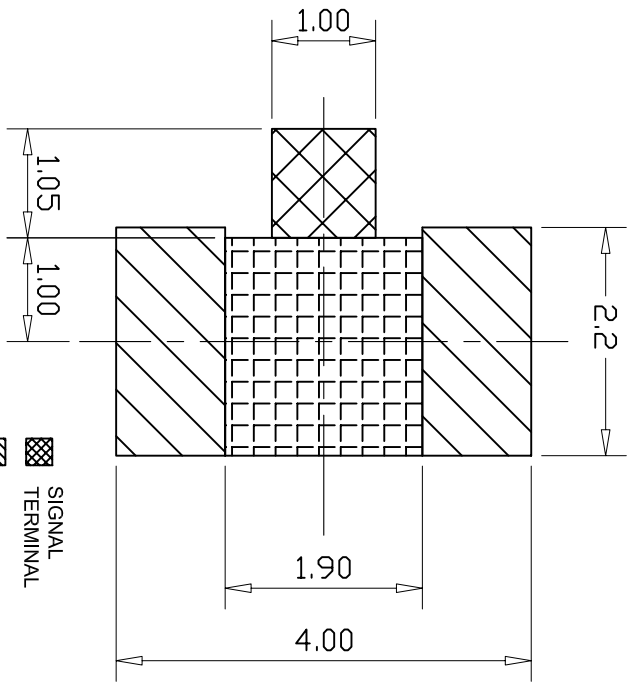
REV.	ECN NO.	LOCAS.	DESCRIPTION	DATE	DESIGN
A0			RELEASE TO CUSTOMER	080505	HANG



**MATERIAL**  
 1. HOUSING: CP CORLOR IN NATURE UL94V-0 RATED.  
 2. SIGNAL CONTACT: HIGH PERFORMANCE COPPOR ALLOY.  
 3. GROUND CONTACT: HIGH PERFORMANCE COPPOR ALLOY.

**FINISH:**  
 1. SIGNAL CONTACT: 50u"MIN. NICKEL UNEDRPLATING ALL OVER. GOLD PLATING SEE ORDER INFORMATION.  
 2. GROUND CONTACT: 50u"MIN. NICKEL UNEDRPLATING ALL OVER. GOLD PLATING SEE ORDER INFORMATION.

COPPLANARITY: 0.1mm MAX.



### PCB Layout

SIGNAL TERMINAL  
 GROUND  
 NO CONDUCTIVE TRACES IN THIS AREA

# LASTAR

Lastar Technology CO., LTD

DRAW NO.	DATE	DRAW NAME:	RF Connector
DESIGN	HANG	080505	
CHECK	WANGCM	080506	
APPROVED	HUYX	080506	
P/N NO.		RF-1P001	FILE:
UNIT:	mm	SHEET:	N/A
MODEL:		REV. A0	SCALE N/A

DIM	TOL	DIM	TOL
X.	±0.30	X.	±4.0"
X.X	±0.25	X.X	±3.0"
X.XX	±0.20	X.XX	±2.0"
X.XXX	±0.10	X.XXX	±1.0"

THIS DRAWING CONTAINS INFORMATION THAT IS PROVIDED BY LASTAR TECHNOLOGY AND SHOULD NOT BE USED WITHOUT WRITTEN PERMISSION.