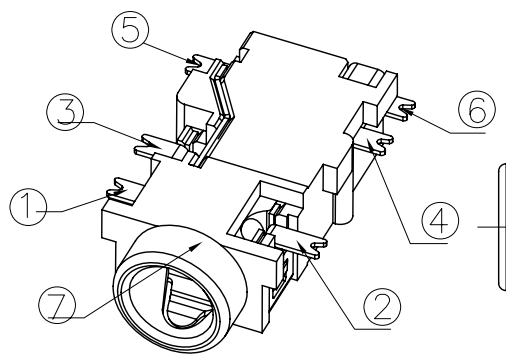
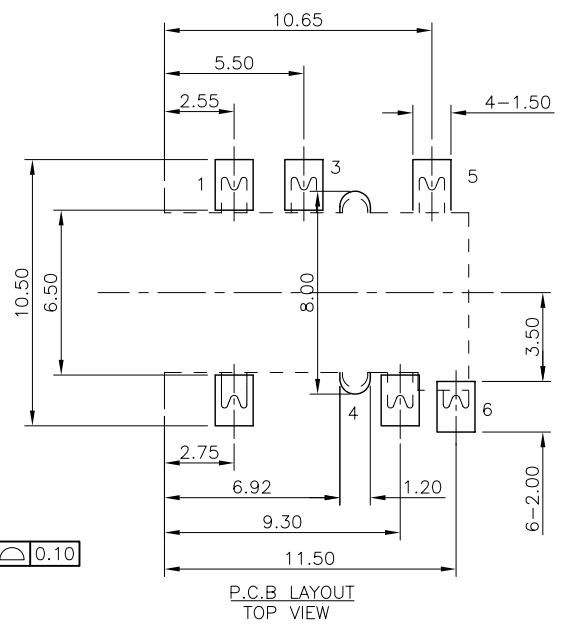
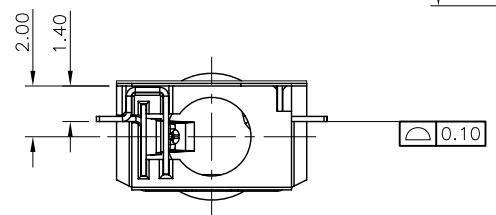
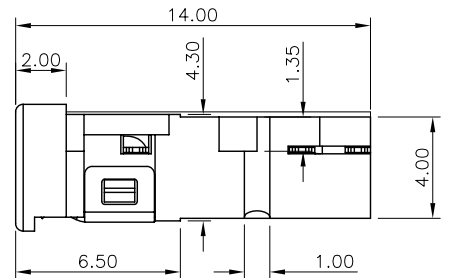
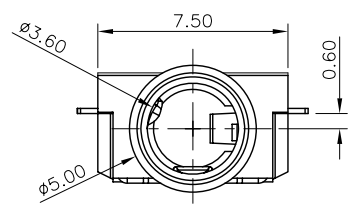
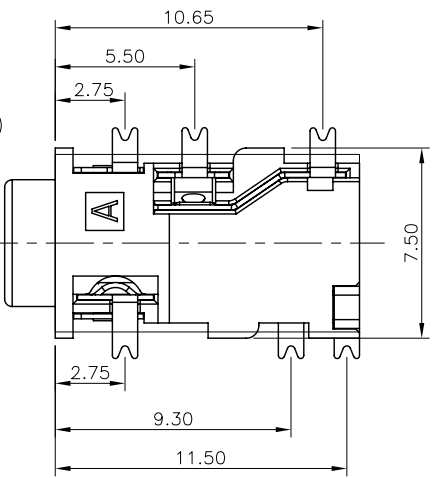


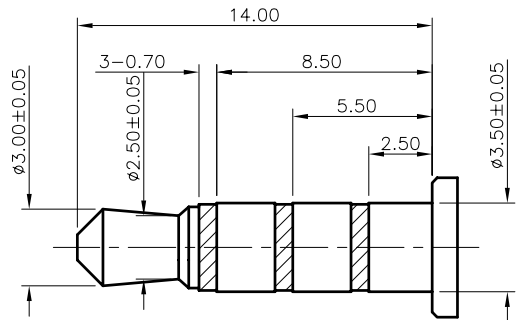
REV.	ECN NO.	LOCAS.	DESCRIPTION	DATE	DESIGN
A			RELEASE TO CUSTOMER	130205	HANG



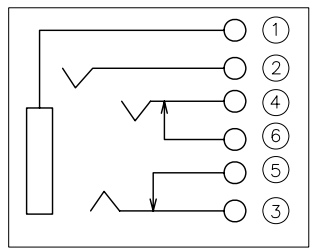
3D VIEW



P.C.B. LAYOUT TOP VIEW



(ø3.50mm 4 POLE PLUG DETAIL DRAWING)



SCHEMATIC

- NOTES:
- REQUEST OF THE SPECIFICATION:
 - CONTACT CURRENT RATING: 1A;
 - CONTACT RESISTANCE: 50 mΩ MAX.;
 - INSULATION RESISTANCE: 100MΩ MIN.;
 - DIELECTRIC WITHSTANDING: 500V AC MIN.;
 - DURABILITY: 5,000 CYCLES MIN.;
 - CONNECTOR MATING FORCES: 29.8N (3.00Kgf) MAX.;
 - CONNECTOR UNMATING FORCES: 2.98N(0.30Kgf) MIN.;
 - MARKED \otimes DIMENSION SHOULD BE MEASURED BY FAI.
 - MARKED \blacktriangledown DIMENSION SHOULD BE MEASURED BY QIP.
 - UNLESS OTHERWISE SPECIFIED, NO MARKED DIMENSIONS ARE REF.
 - PRODUCT MEET THE REQUEST OF THE RoHS, SEE TABLE A:

⑦	HOUSING	1	LCP+30%G.F		BLACK
⑥	TERMINAL F	1	C2680R-H 0.20T	1u" GOLD/50~80u" NICKEL	
⑤	TERMINAL E	1	C2680R-H 0.20T	1u" GOLD/50~80u" NICKEL	
④	CONTACT D	1	C17200 290 TM04 0.20T	1u" GOLD/50~80u" NICKEL	
③	CONTACT C	1	C17200 290 TM04 0.20T	1" GOLD/50~80u" NICKEL	
②	CONTACT G	1	C5191R-H 0.20T	1u" GOLD/50~80u" NICKEL	
①	CONTACT H	1	C5210R-EH 0.20T	1u" GOLD/50~80u" NICKEL	
ITEM	PART NAME	Q'TY	MATERIAL	DESCRIPTION	

DIM	TOL	DIM	TOL
X.	±0.30	X'	±4.0"
X.X	±0.25	X.X'	±3.0"
X.XX	±0.20	X.XX'	±2.0"
X.XXX	±0.10	X.XXX'	±1.0"

THIS DRAWING CONTAINS INFORMATION THAT IS PROVIDED BY LASTAR TECHNOLOGY AND SHOULD NOT BE USED WITHOUT WRITTEN PERMISSION

LASTAR

Lastar Technology CO.,LTD

DRAW NO.		DATE	DRAW NAME: 耳机插座 3.5MM 6PIN 沉板1.4 有头		
DESIGN	HANG	130205	P/N NO. PJ-3538-01		FILE:
CHECK	HANG	130205	UNIT: mm	SHEET: N/A	MODEL:
APPROVED	HUYX	130205			REV. A SCALE N/A