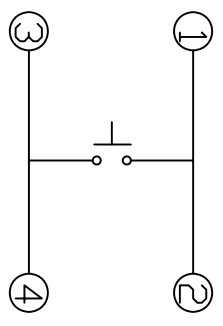
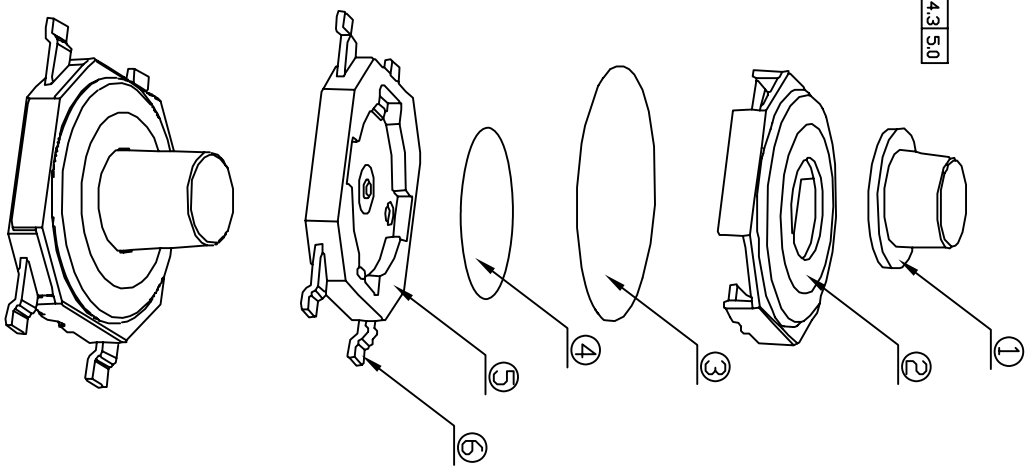
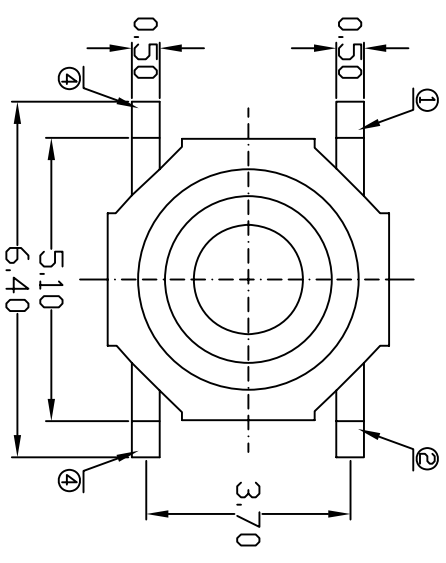
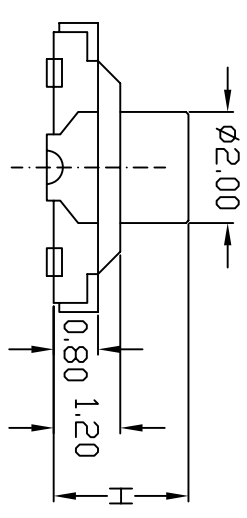
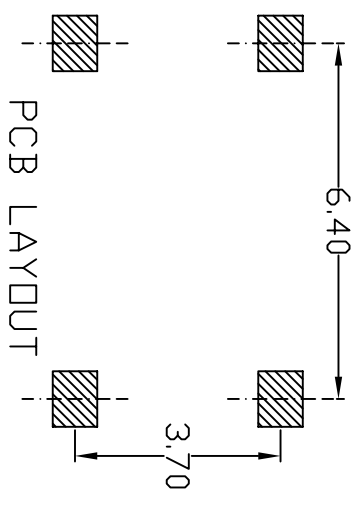


REV.	ECN NO.	LOCAS.	DESCRIPTION	DATE	DESIGN
A0			RELEASE TO CUSTOMER		HANG

H 1.5 1.7 1.9 2.3 3.0 4.3 5.0



SCHEMATIC



PCB LAYOUT

1. Rating: DC 12V 50mA
2. TRAVEL: 0.25 ± 0.05mm
3. Operating Force: 180 ± 30gf
or 250 ± 30gf
4. Contact Resistance: 50mΩ Max
5. Life: 80000 Cycles Min

LASTAR

Lastar Technology CO., LTD

DRAW NO.	55B4-1523	DATE		DRAW NAME:	Tact Switch 4Pin SMT
DESIGN	HANG	070505		P/N NO.	TS-55B4-1523
CHECK	WANGCM	070506		UNIT:	mm
APPROVED	HUYX	070506		SHEET:	N/A
				MODEL:	
				REV.	A0
				SCALE	N/A

6	焊脚	磷铜		镀银
5	底座	PPA		
4	簧片	不锈钢		材料进口
3	防水层	防水胶带		
2	拉伸盖板	不锈钢		镀银
1	帽头	PA6T		
序号	名称	材料	颜色	备注