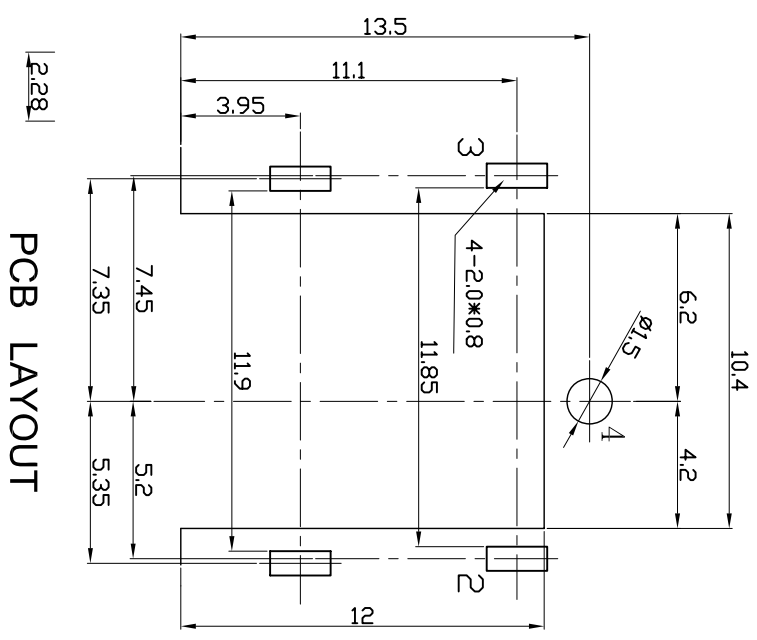
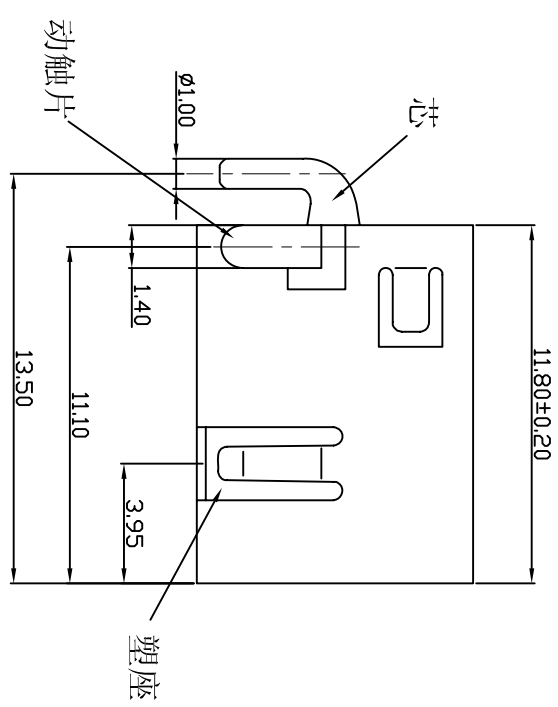
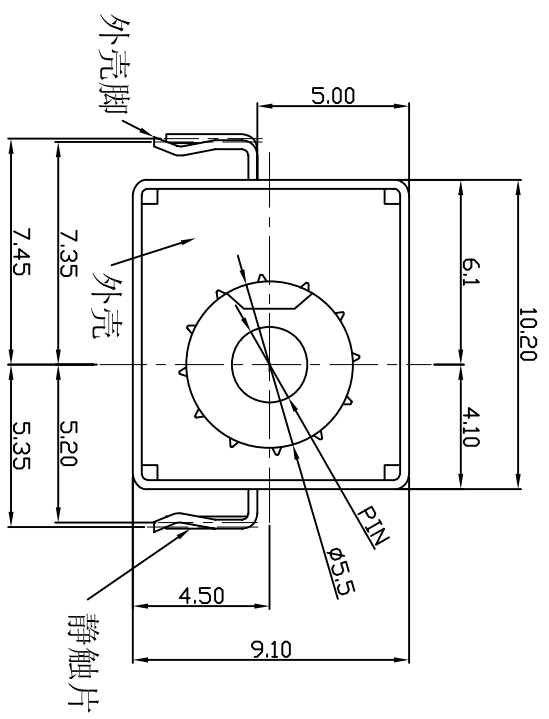
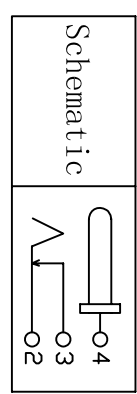


REV.	ECN NO.	LOCAS.	DESCRIPTION	DATE	DESIGN
A0			RELEASE TO CUSTOMER	080505	HANG

**SPECIFICATION**

- 1.Current Rating:0.3Amp
- 2.Operation Voltage:50V
- 3.Contact Resistance:30m Ohms Max
- 4.Insulation Resistance:100M Ohms Min
- 5.Dielectric Withstanding Voltage: 500V/AC
- 6.Mating and Unmating Force:5 to 25N
- 7.Life:5000 Cycles

PIN	Ø1.65	Ø2.0	Ø2.35	Ø2.5
APPD				✓



ITEM	PART	MATERIAL	QTY	REMARK
6	外壳	SPCC	1	Sn-Plated
5	外壳脚	SPCC	1	Sn-Plated
4	芯	Brass	1	Sn-Plated
3	动触片	Brass	1	T=0.30 Ag-Plated
2	静触片	Brass	1	t=0.30 Ag-Plated
1	塑座	LCP	1	Black

DIM	TOL	DIM	TOL
X.	±0.30	X.	±4.0°
XX	±0.25	XX	±3.0°
XXX	±0.20	XXX	±2.0°
XXXX	±0.10	XXXX	±1.0°

**LASTAR**

Lastar Technology CO., LTD

DRAW NO. DC-09044B-25	DATE 080505	DESIGN HANG	CHECK WANGCM	APPROVED HUYX
DRAW NAME: DC POWER JACK 沉板		P/N NO. DC-09044B-25	UNIT: mm	SHEET: N/A
FILE:		MODEL:	REV. AO	SCALE N/A

THIS DRAWING CONTAINS INFORMATION THAT IS PROPRIETARY TO LASTAR. UNAUTHORIZED USE, REPRODUCTION, OR DISSEMINATION IS STRICTLY PROHIBITED.