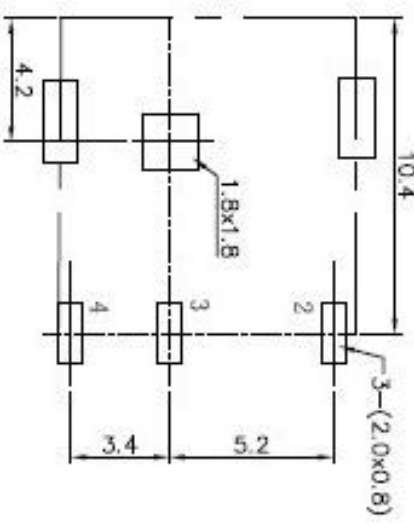
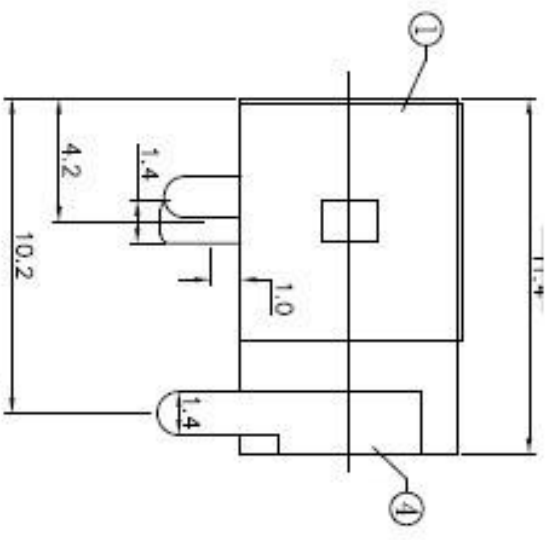
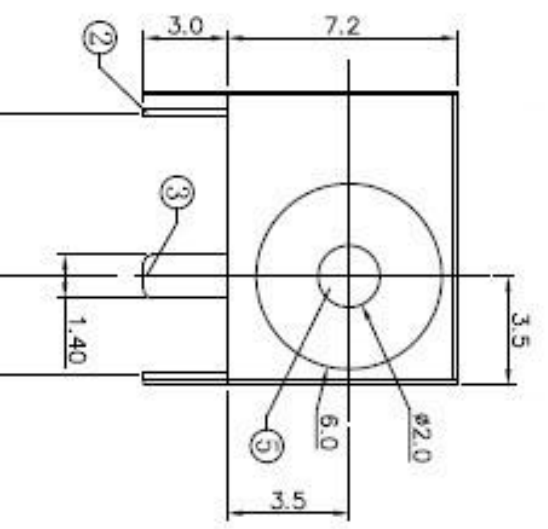


REV.	ECN NO.	LOCAS.	DESCRIPTION	DATE	DESIGN
A			RELEASE TO CUSTOMER	111120	HANG



SCHMATIC

NO.	DESCRIPTION	QTY	MATERIAL	PLATING
5	PIN	1	H59 BRASS (ROHS)	Sn-Plating (ROHS)
4	CONTACT FOOT	1	BRASS (ROHS)	Ag-Plating (ROHS)
3	CURVE PIECE	1	BRASS (ROHS)	Ag-Plating (ROHS)
2	SPRING PIECE	1	BRONZE (ROHS)	Ag-Plating (ROHS)
1	BASE	1	PBT (ROHS)	

- SPECIFICATION**
1. Rating : DC 30V 1.0A;
 2. Contact resistance: $\leq 0.03\Omega$;
 3. Insulation resistance: $> 100M\Omega$ (DC250V);
 4. Withstand voltage: 500VAC;
 5. Insertion and extraction force: 3-20N;
 6. Life test: 5,000 cycles.

LASTAR

Lastar Technology CO., LTD

DRAW NO.	09044A-20C	DATE	110205	DRAW NAME:	DC JACK DIP90° (DC-044A)
DESIGN	HANG		110205	P/N NO.	DC-09044A-20C
CHECK	WANGCM		110205	UNIT:	mm
APPROVED	HUYX		110205	SHEET:	N/A
				MODEL:	
				REV. A	SCALE N/A

DIM	TOL	DIM	TOL
X.	± 0.30	X.	$\pm 4.0^\circ$
XX	± 0.25	XX	$\pm 3.0^\circ$
XXX	± 0.20	XXX	$\pm 2.0^\circ$
XXXX	± 0.10	XXXX	$\pm 1.0^\circ$

THIS DRAWING CONTAINS INFORMATION THAT IS PROVIDED BY LASTAR TECHNOLOGY AND SHOULD NOT BE USED WITHOUT WRITTEN PERMISSION