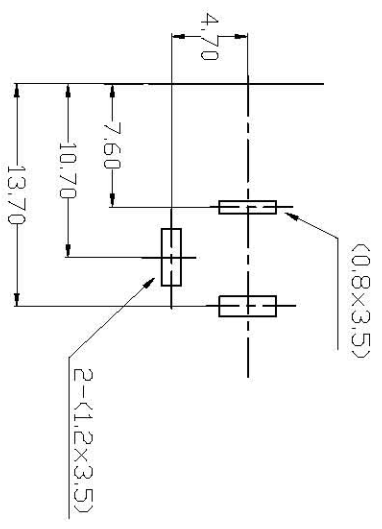
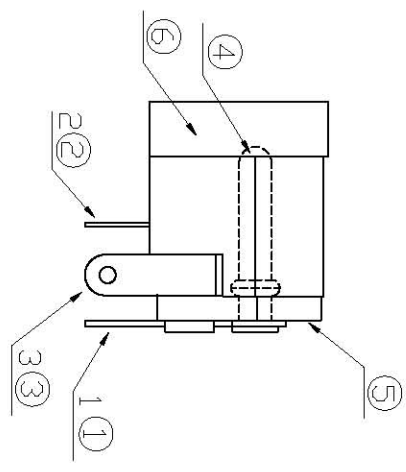
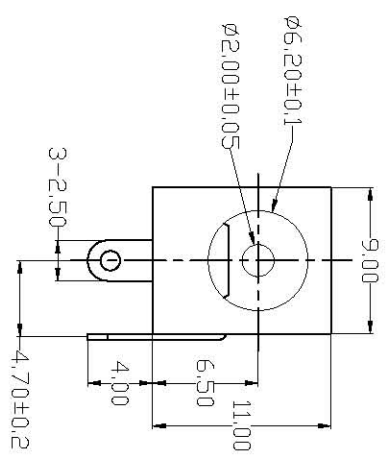
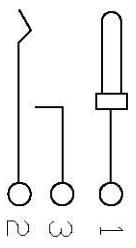
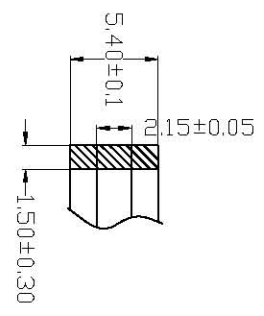
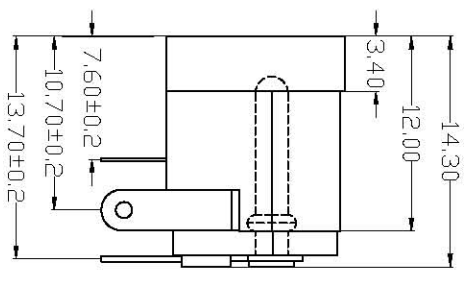


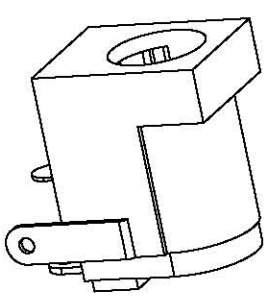
REV.	ECN NO.	LOCAS.	DESCRIPTION	DATE	DESIGN
A0					HANG



PCB LAYOUT



CIRCUIT DIAGRAM



No.	PART NAME	QTY	MATERIAL	(THICK, COLOR)	REMARK
⑥	HOUSING	1	PBT (Black)		
⑤	COVER	1	PBT (Black)		
④	PIN	1	H62	φ=2.0	Cush-Plated
③	TERMINAL	1	BRASS	t=0.35	Ag-Plated
②	TERMINAL	2	65Mn	t=0.20	Ag-Plated
①	TERMINAL	1	BRASS	t=0.35	Ag-Plated

**LASTAR**

Lastar Technology CO., LTD

DRAW NO.	DC-390005	DATE	070506	DRAW NAME:	DC POWER JACK
DESIGN	HANG	070505		P/N NO.	DC-390005
CHECK	WANGCM	070506		UNIT:	mm
APPROVED	HUYK	070506		SHEET:	N/A
				MODEL:	
				REV. A0	SCALE N/A