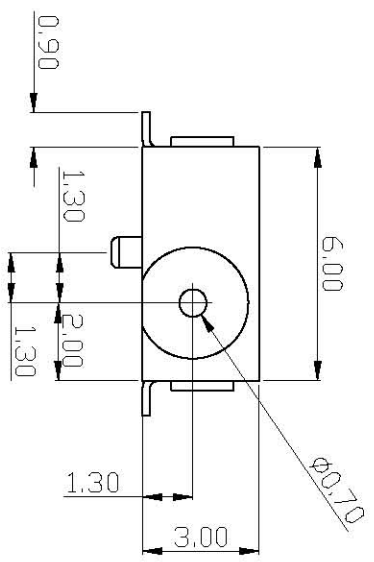
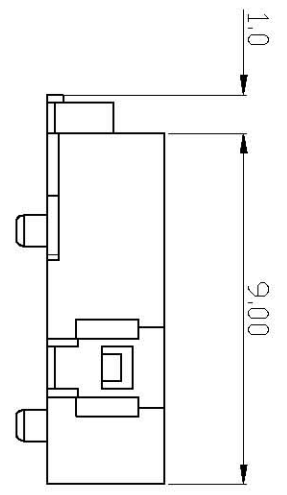
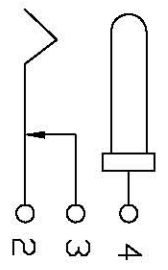
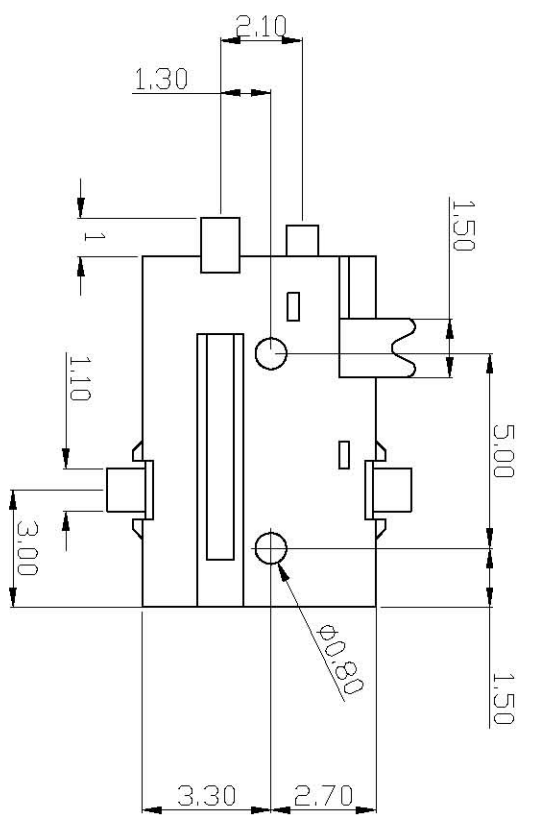


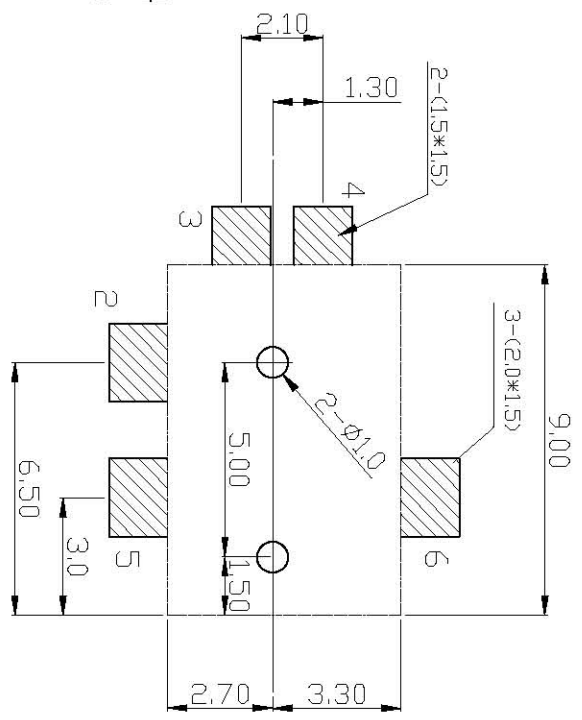
REV.	ECN NO.	LOCAS.	DESCRIPTION	DATE	DESIGN
A0			RELEASE TO CUSTOMER	080505	HANG



P.C.B LAYOUT TOP VIEW



Schematic



LASTAR
Lastar Technology CO., LTD

DRAW NO.	DESIGN	CHECK	APPROVED	DATE	DRAW NAME:	UNIT:	SHEET:	MODEL:
	HANG	WANGCM	HUYK	080505	DC JACK SMT 056	mm	DC-090056	
DIM	TOL	DIM	TOL					
X.	±0.30	X.	±4.0'					
X.X	±0.25	X.X	±3.0'					
X.XX	±0.20	X.XX	±2.0'					
X.XXX	±0.10	X.XXX	±1.0'					

THIS DRAWING CONTAINS INFORMATION THAT IS PROVIDED BY LASTAR TECHNOLOGY CO., LTD. AND IS NOT TO BE REPRODUCED OR TRANSMITTED IN ANY FORM OR BY ANY MEANS, ELECTRONIC OR MECHANICAL, INCLUDING PHOTOCOPYING, RECORDING, OR BY ANY INFORMATION STORAGE AND RETRIEVAL SYSTEM.