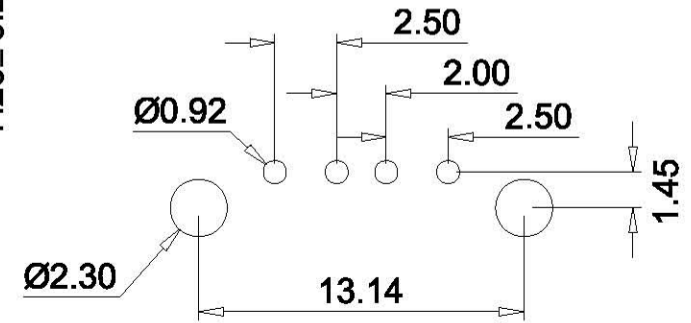
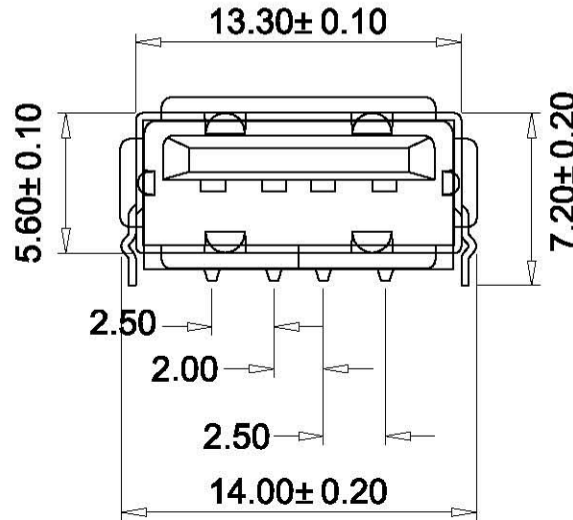
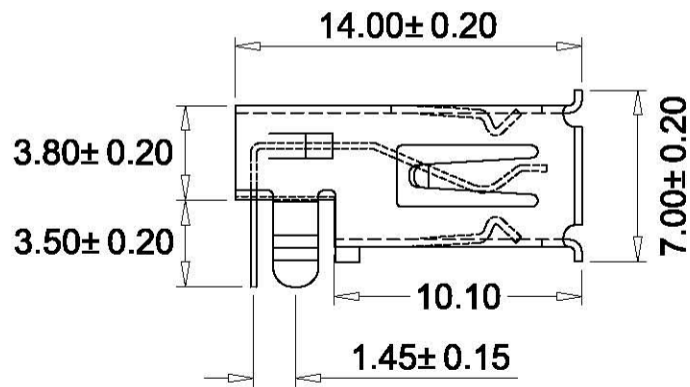
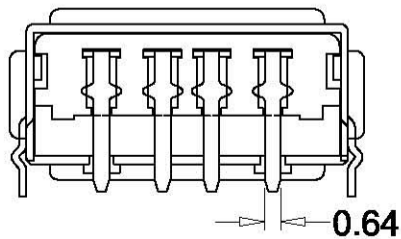
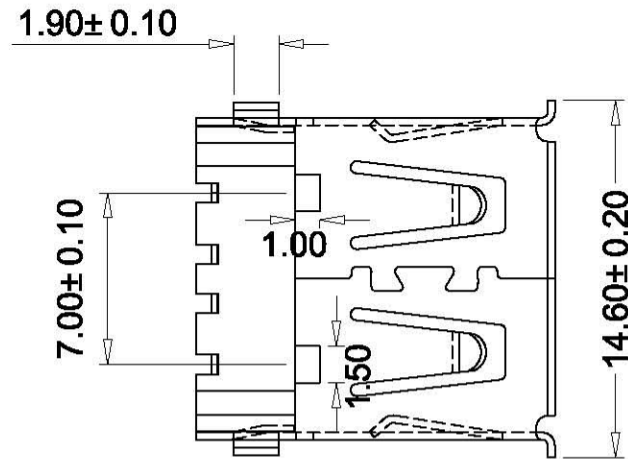


REV.	ECN NO.	LOCAS.	DESCRIPTION	DATE	DESIGN
A0			RELEASE TO CUSTOMER		HANG
B			USB-112-30C-0438-50XX→UF-1410-P254-1522		HANG



P.C.B Layout



MATERIAL

- 1、Housing:High temperature thermoplastics,PBT
- 2、Contact:Copper Alloy,C2680H,Plated gold in mating area,
Tin on Solder tails
- 4、Shell:Copper Alloy/SPCC,Plated with Nickel

LASTAR

Lastar Technology CO.,LTD

DRAW NO.	UF-1410-P254	DATE	DRAW NAME: USB Female DIP90° 沉板式		
DESIGN	HANG	070505	P/N NO. UF-1410-P254-1522		FILE:
CHECK	WANGCM	070506	UNIT: mm	SHEET: N/A	MODEL:
APPROVED	HUYX	070506			REV. B SCALE N/A