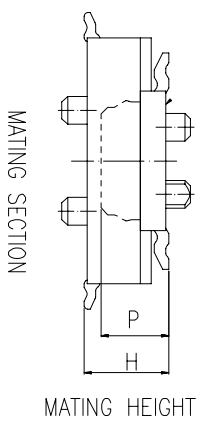
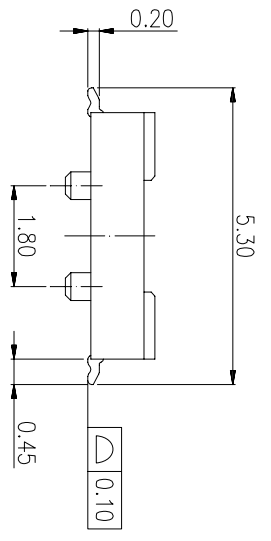
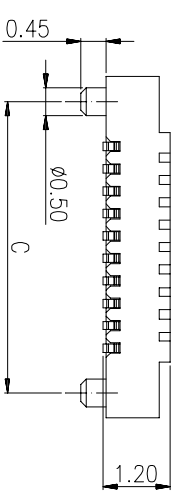
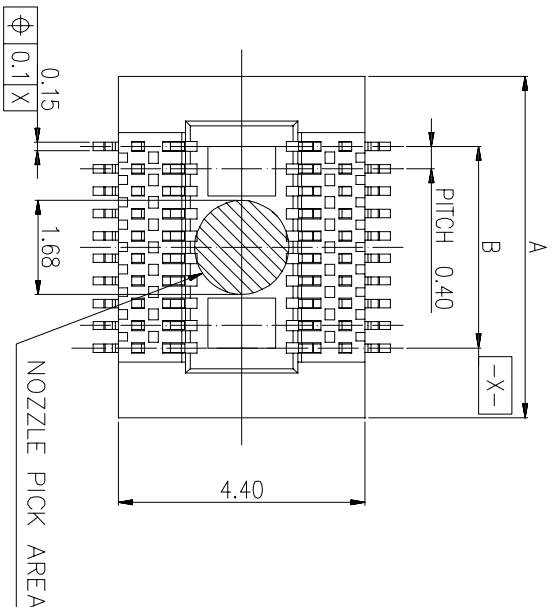


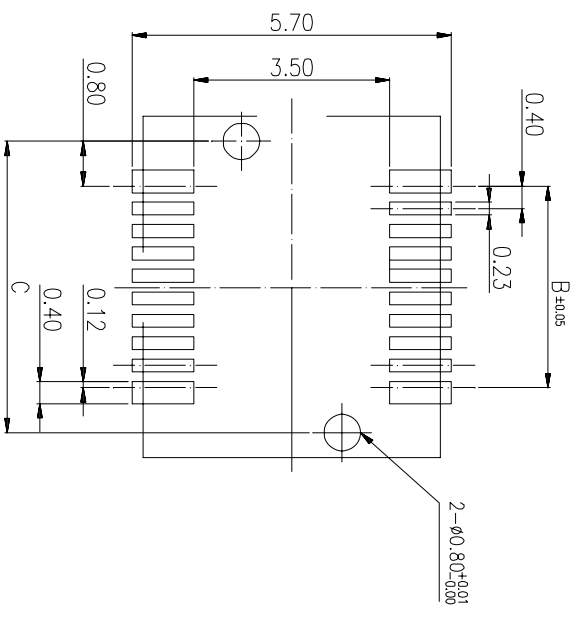
REV.	ECN NO.	LOCAS.	DESCRIPTION	DATE	DESIGN
AO			RELEASE TO CUSTOMER		HANG



MALE	FEMALE
DIM. P	DIM. H
1.20	1.5mm
1.70	2.0mm

17.2	15.6	18.1	80
15.2	13.6	16.1	70
13.2	11.6	14.1	60
11.2	9.6	12.1	50
9.2	7.6	10.1	40
8.0	6.4	8.9	34
7.6	6.0	8.5	32
7.2	5.6	8.1	30
6.4	4.8	7.3	26
6.0	4.4	6.9	24
5.6	4.0	6.5	22
5.2	3.6	6.1	20
4.4	2.8	5.3	16
3.2	1.6	4.1	10
C	B	A	PIN.

- NOTES:
- MATERIAL:
 - HOUSING :THERMOPLASTIC UL 94 V-0.
 - CONTACTS :COPPER ALLOY
 - FINISH CONTACT:
 - CONTACT AREA PLATING:HARD GOLD
 - BASE PLATING:NICKEL THICKNESS AT 50μ" MIN



RECOMMENDED PCB PATTERN LAYOUT

DIM	TOL	DIM	TOL
X.	±0.30	X.	±4.0°
X.X	±0.25	X.X.	±3.0°
X.XX	±0.20	X.XX	±2.0°
X.XXX	±0.10	X.XXX	±1.0°

THIS DRAWING CONTAINS INFORMATION THAT IS PROVIDED BY LASTAR TECHNOLOGY AND SHOULD NOT BE USED WITHOUT WRITTEN PERMISSION

LASTAR

Lastar Technology CO., LTD

DRAW NO.	042-XX1-20L2	DATE	110205
DESIGN	HANG		
CHECK	WANGCM		
APPROVED	HUYX		

DRAW NAME:	BOARD TO BOARD SOCKET Pitch0.4mm 20Pin
P/N NO.	BTB-042-XX1-20L2-10
UNIT:	mm
SHEET:	N/A
MODEL:	
REV. AO	SCALE N/A