

所有原料材质，生产制程，电镀必须符合RoHS要求

REV.	ECN NO.	LOCAS.	DESCRIPTION	DATE	DESIGN
A			RELEASE TO CUSTOMER	150116	YINC
B			新增1.4H规格	191203	YINC

料号	规格	DIM A
SIM-35A-1410-0616	Sim CARD 6PSMT TYPE H1.4	1.40
SIM-35A-1610-0616	Sim CARD 6PSMT TYPE H1.6	1.60
SIM-35A-1810-0616	Sim CARD 6PSMT TYPE H1.8	1.80
SIM-35A-2010-0616	Sim CARD 6PSMT TYPE H2.0	2.00

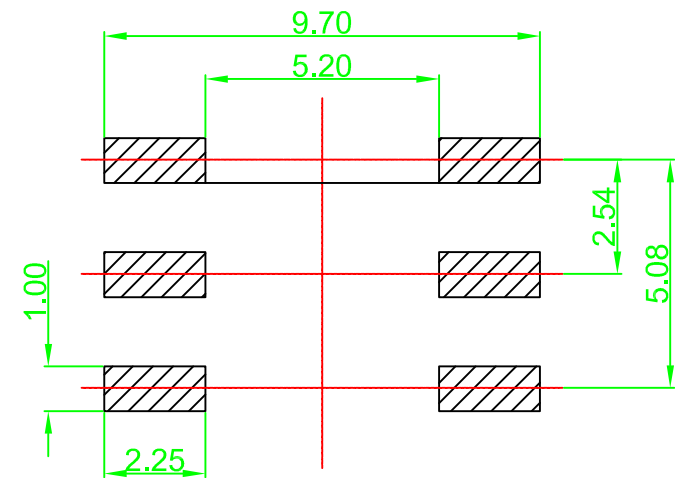
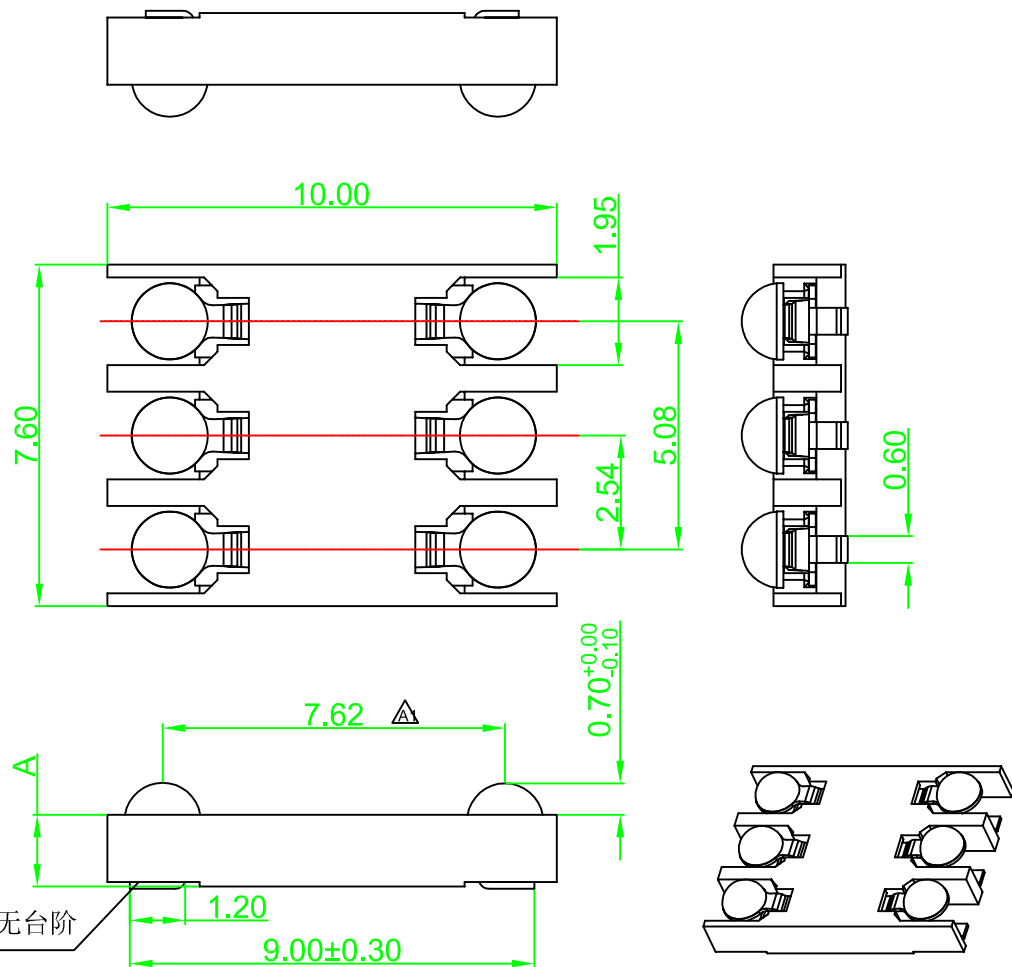
NOTES:

1. MATERIALS

- 1-1. HOUSING: THERMOPLASTIC (UL94V-0), BLACK
- 1-2. TERMINAL: COPPER ALLOY

2. ELECTRICAL CHARACTERISTICS:

- 1-1. CURRENT RATING: 0.5 Amp/PIN. MAX.
- 1-2. VOLTAGE: 15V DC. MAX.
- 1-3. OPERATING TEMP. -25°C TO 85°C.



PCB LAYOUT TOP VIEW
TOLERANCE ±0.05

DIM	TOL	DIM	TOL
X.	±0.30	X'	±4.0°
X.X	±0.25	X.X'	±3.0°
X.XX	±0.20	X.XX'	±2.0°
X.XXX	±0.10	X.XXX'	±1.0°

THIS DRAWING CONTAINS INFORMATION THAT IS PROVIDED BY LASTAR TECHNOLOGY AND SHOULD NOT BE USED WITHOUT WRITTEN PERMISSION

DRAW NO.	35A-XX10-0616	DATE	
DESIGN	YINC	DATE	191203
CHECK	ZHAOZZ	DATE	191203
APPROVED	HUXW	DATE	191203



深圳朗思达 香港朗思达
 东莞共营 前海共赢

connector & cable

DRAW NAME:		SIM卡座 6PIN 球形	
P/N NO.	SIM-35A-XX10-0616	SHORT CODE	
UNIT:	mm	MODEL	16
SHEET:	N/A	REV. B	SCALE N/A