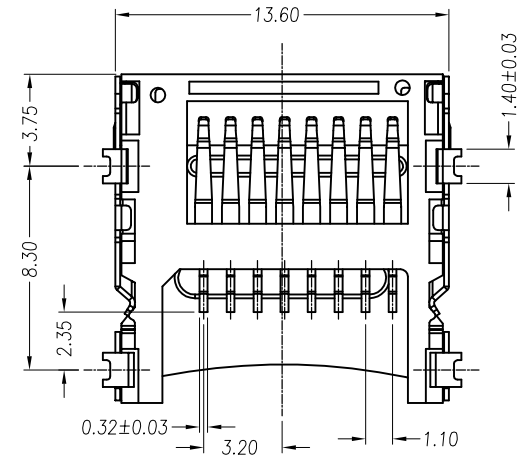
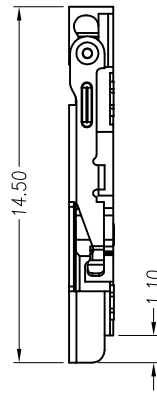
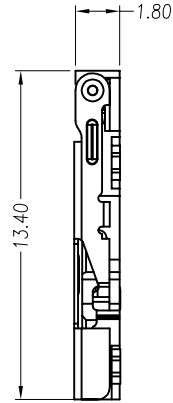
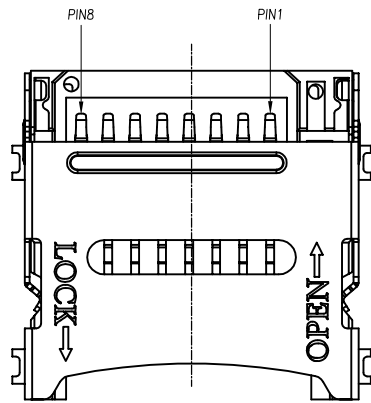


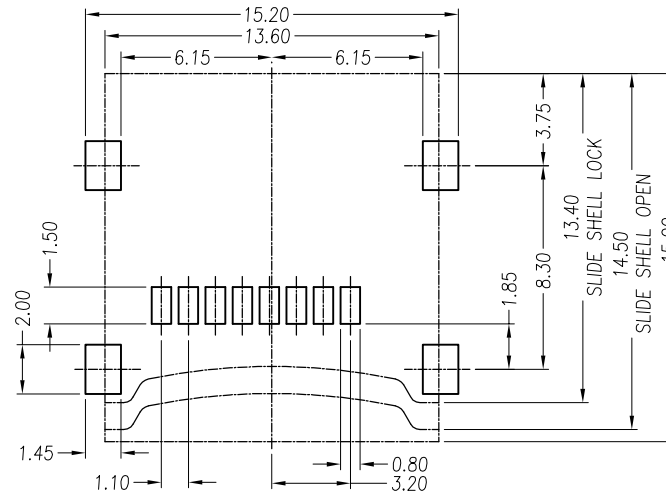
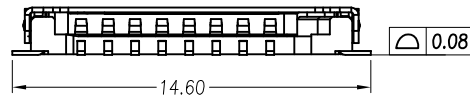
**\*所有原料材质，生产制程，电镀必须符合RoHS要求\***

REV.	ECN NO.	LOCAS.	DESCRIPTION	DATE	DESIGN
A			RELEASE TO CUSTOMER	150116	YINC



SLIDE SHELL OPEN

SLIDE SHELL LOCK



Recommended P.C.B Layout  
General Tolerance±0.05

**MATERIALS**

- HOUSING : HI-TEMP PLASTIC UL 94V-0.
- TERMINAL: BRASS  
PLATING: GOLD PLATED ON CONTACT AREA,  
G/F GOLD PLATED ON SOLDER TAILS.
- SHELL : STAINLESS STEEL.  
PLATING : 50u" NICKEL UNDER, 100u" TIN OVERALL.

**SPECIFICATION**

- CURRENT RATING : 0.5A MAX.
- DIELECTRIC WITHSTANDING VOLTAGE :  
500V AC R. M. S. FOR 1 MINUTE.
- INSULATION RESISTANCE : 100MΩ MIN. AT 500V DC.
- CONTACT RESISTANCE : 50mΩ MAX.  
SWITCH RESISTANCE : 100mΩ MAX.
- DURABILITY : 5000 CYCLES.
- OPERATING TEMPERATURE : -30° C TO +85° C.

DIM	TOL	DIM	TOL
X.	±0.30	X".	±4.0"
X.X	±0.25	X.X"	±3.0"
X.XX	±0.20	X.XX"	±2.0"
X.XXX	±0.10	X.XXX"	±1.0"

THIS DRAWING CONTAINS INFORMATION THAT IS PROVIDED BY LASTAR TECHNOLOGY AND SHOULD NOT BE USED WITHOUT WRITTEN PERMISSION

DRAW NO.	070-03R-08L5-A	DATE	
DESIGN	YINC	150116	
CHECK	ZHAOZZ	150116	
APPROVED	HUXW	150116	



- 深圳朗思达     香港朗思达  
 东莞共营     前海共赢

**connector & cable**

DRAW NAME:		TF卡座 掀盖式 H1.8mm 铁框架	
P/N NO.	TF-070-03R-08L5-A	SHORT CODE	
UNIT:	mm	MODEL	10100050
SHEET:	N/A	REV. A	SCALE N/A