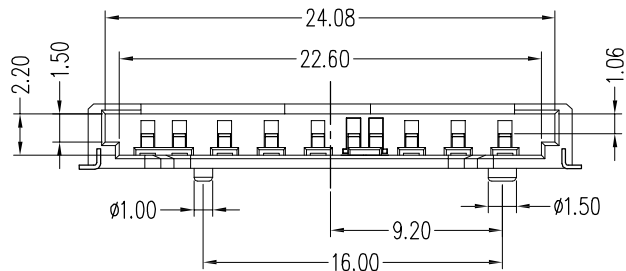
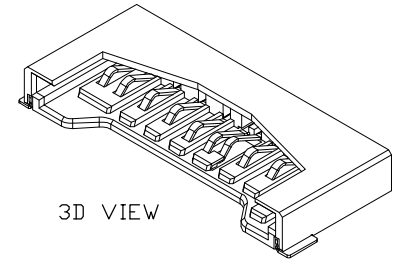
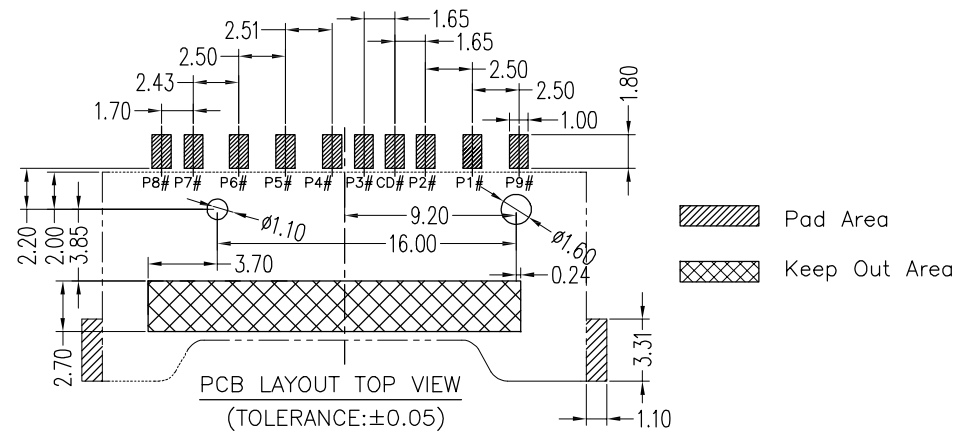
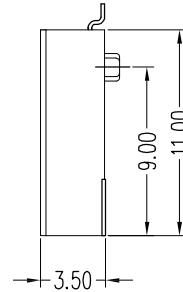
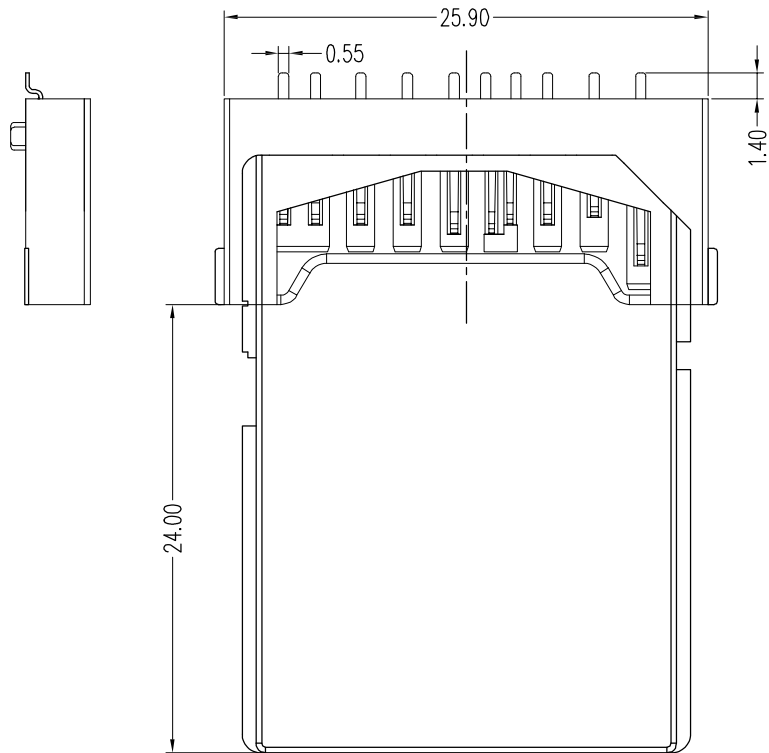


**\*所有原料材质，生产制程，电镀必须符合RoHS要求\***

REV.	ECN NO.	LOCAS.	DESCRIPTION	DATE	DESIGN
A			RELEASE TO CUSTOMER	150116	YINC



**SPECIFICATION**

**1.ELECTRICAL CHARACTERISTICS:**

CONTACT CURRENT RATING:0.5 AMPERES.  
 DIELECTRIC WITHSTANDING VOLTAGE:AC500VR.M.S.  
 LLNSULATION RESISTANTE:1000mΩ MINIMUM.  
 CONTACT RESISTANTE:40MΩ MAXIMUM.

**2.ENVIRONMENTAL:**

OPERATING TEMPERATURE:-20℃+85℃.

**3.MATERIAL:**

HOUSING:H1-TEMP PLASTIC LCP UL 94V-0 RATED  
 CANTACT: COPPER ALLOY(T=0.20MM).

SD CARD PIN DESIGN			
Pin#	Name	Type	Card Detect/ Data Line[Bit3]
1	CD/DAT3	I/O/PP	Command/Response
2	CMD	PP	Supply voltage
3	Vss1	S	Supply voltage ground
4	VDD	S	Supply voltage
5	CLK	I	Clock
6	Vss2	S	Supply voltage ground
7	DAT0	I/O/PP	Date Line [Bit0]
8	DAT1	I/O/PP	Date Line [Bit1]
9	DAT2	I/O/PP	Date Line [Bit2]

DIM	TOL	DIM	TOL	DRAW NO.	050-001-09W0	DATE		 ■深圳朗思达 □香港朗思达 □东莞共营 □前海共赢  Http://www.asia-wt.com	DRAW NAME: SD卡座 全塑 带焊脚			
X.	±0.30	X".	±4.0"	DESIGN	YINC	150116			P/N NO.	SD-050-001-09W0	SHORT CODE	10100079
X.X	±0.25	X.X"	±3.0"	CHECK	ZHAOZZ	150116		<b>connector &amp; cable</b>	UNIT:	SHEET:	REV. A	SCALE N/A
X.XX	±0.20	X.XX"	±2.0"	APPROVED	HUXW	150116			mm	N/A		
X.XXX	±0.10	X.XXX"	±1.0"	<small>THIS DRAWING CONTAINS INFORMATION THAT IS PROVIDED BY LASTAR TECHNOLOGY AND SHOULD NOT BE USED WITHOUT WRITTEN PERMISSION</small>								