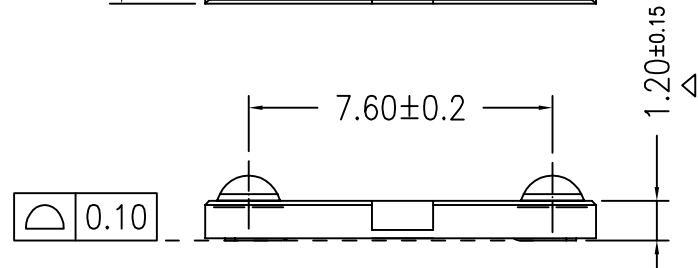
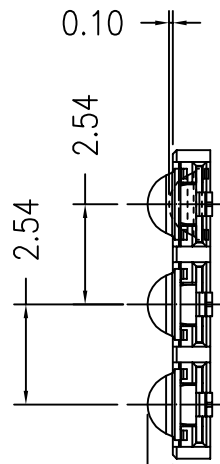
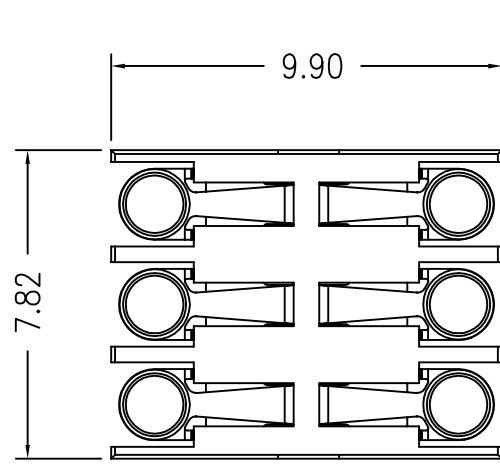


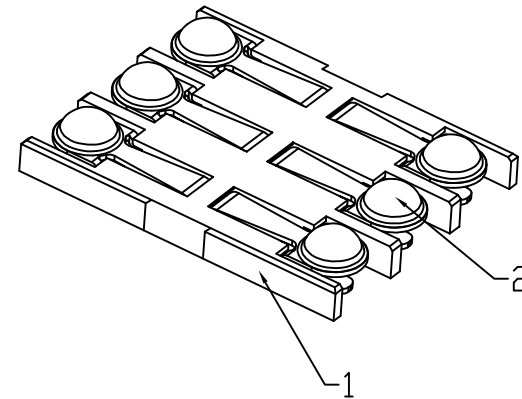
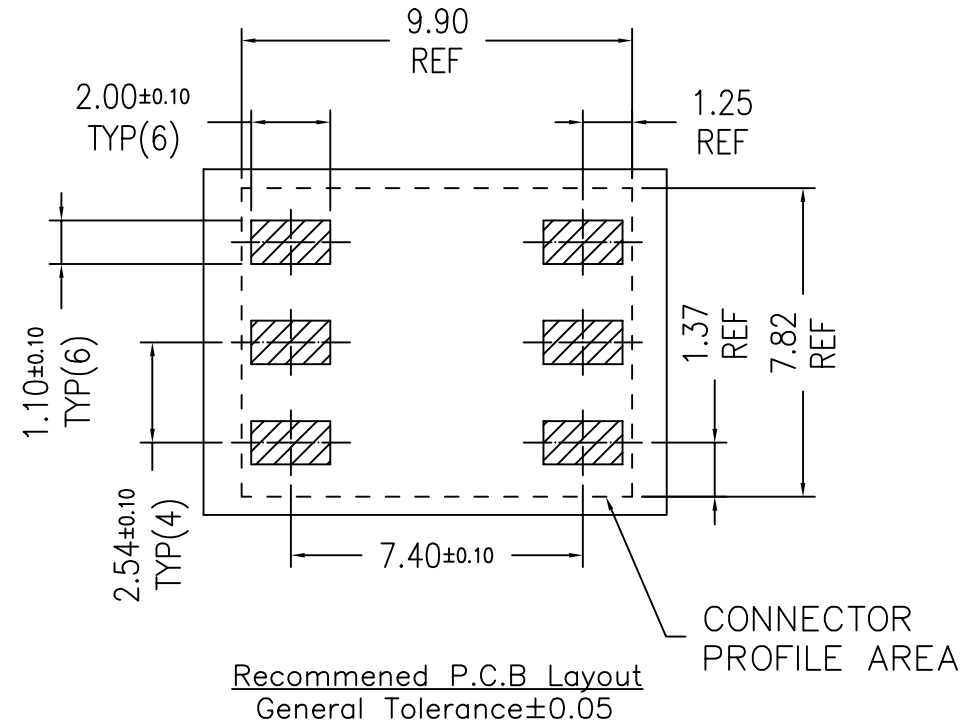
所有原料材质，生产制程，电镀必须符合RoHS要求

REV.	ECN NO.	LOCAS.	DESCRIPTION	DATE	DESIGN
A			RELEASE TO CUSTOMER	150116	YINC
B			Add AN OPENING	180725	YINC

(WORKING POSITION)



(INITIAL POSITION)



NOTES:

1. MATERIAL:
 - 1.1 Housing:High Temperature Thermoplastic
UL94V-0; Color Black.
 - 1.2 Terminal:Copper Alloy.
2. FINISH:
 - 2.1 Terminal: Plated Gold on the Contact Area
and Solder Tails
Underplated Nickel Over all.
3. SPECIALITY:
 - 3.1 Rated current:0.5A
 - 3.2 Rated voltage:30V
 - 3.3 Contact Resistance:50mΩ MAX
 - 3.4 Insulation Resistance:100MΩ MIN 100V DC
 - 3.5 Dielectric withstanding voltage:100V AC.

DIM	TOL	DIM	TOL
X.	±0.30	X".	±4.0°
X.X	±0.25	X.X"	±3.0°
X.XX	±0.20	X.XX"	±2.0°
X.XXX	±0.10	X.XXX"	±1.0°

THIS DRAWING CONTAINS INFORMATION THAT IS PROVIDED BY LASTAR TECHNOLOGY AND SHOULD NOT BE USED WITHOUT WRITTEN PERMISSION

DRAW NO.	35A-1210-0616	DATE	
DESIGN	YINC	180725	
CHECK	ZHAOZZ	180725	
APPROVED	HUXW	180725	



[Http://www.lsdconn.com](http://www.lsdconn.com)



[Http://www.asia-wt.com](http://www.asia-wt.com)

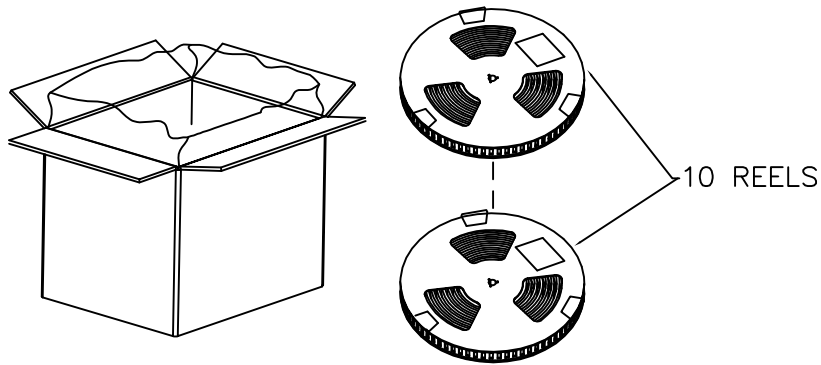
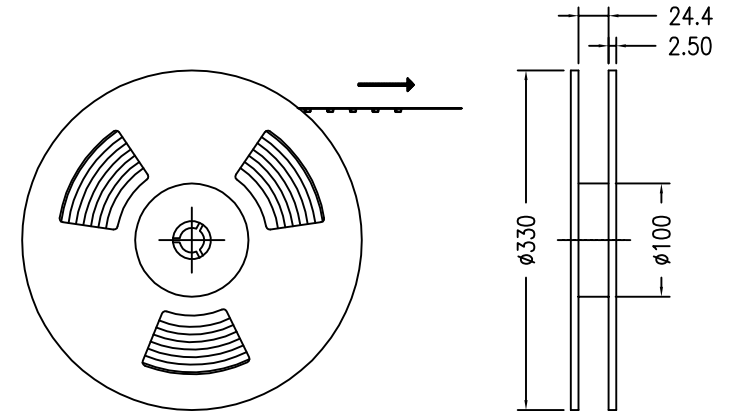
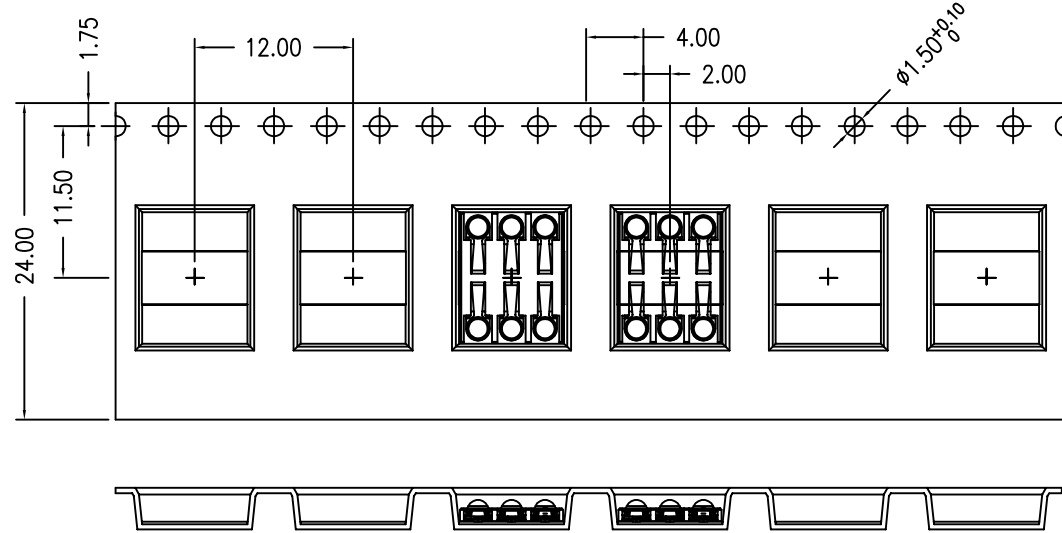
- 深圳朗思达 香港朗思达
东莞共营 前海共赢

connector & cable

DRAW NAME:		SIM卡座 PH2.54 6PIN 10.0x7.6x1.2H 球形	
P/N NO.	SIM-35A-1210-0616	SHORT CODE	10200086
UNIT:	mm	MODEL	16
SHEET:	N/A	REV.	B
		SCALE	N/A

所有原料材质，生产制程，电镀必须符合RoHS要求

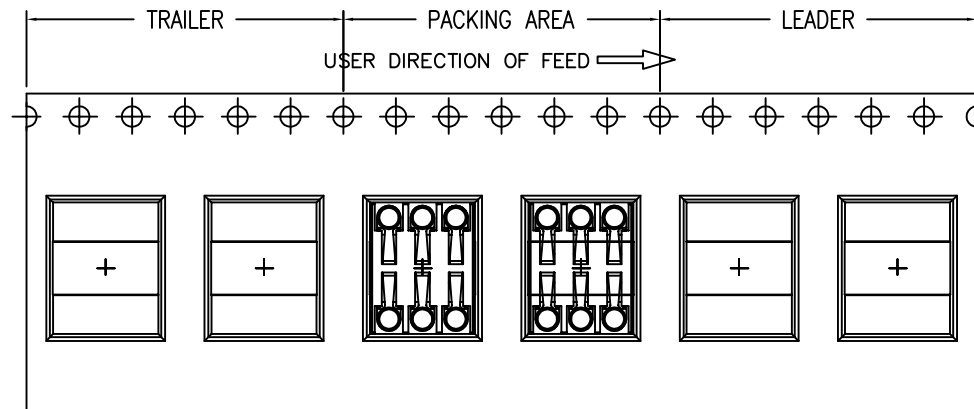
REV.	ECN NO.	LOCAS.	DESCRIPTION	DATE	DESIGN
A			RELEASE TO CUSTOMER	150116	YINC
B			ADD AN OPENING	180725	YINC



NO COMPONENT WITH COVER TAPE 25PCS

QUANTITY: SEE TABLE

NO COMPONENT WITH COVER TAPE 15PCS



COMPOSITION OF PACKAGE

NOTES:

- CARRIER TAPE MATERIAL: THERMOPLASTIC ANTI-STATIC FILM OR EQUIVALENT THICKNESS: 0.40±0.05MM; COLOR: BLACK OR TRANSPARENT.
- COVER TAPE MATERIAL : CONDUCTIVE COVER TAPE OR EQUIVALENT;
- PEEL STRENGTH REQUIREMENT OF COVER TAPE TO COMPLY WITH EIA-481;
- ALL TAPE AND SPROCKET HOLE DIMENSIONS SHOWN ARE PER EIA-481.

PART NO.	QUANTITY PER REEL	QUANTITY PER BOX
SIM-35A-1210-0616	1800	18000

DIM	TOL	DIM	TOL	DRAW NO.	DATE	 ■深圳朗思达 □香港朗思达 □东莞共营 □前海共赢 connector & cable	DRAW NAME: SIM卡座 PH2.54 6PIN 10.0×7.6×1.2H 球形 包装图		
X.	±0.30	X".	±4.0"	DESIGN	YINC		180725	P/N NO.	
X.X	±0.25	X.X"	±3.0"	CHECK	ZHAOZZ		180725	SHORT CODE	
X.XX	±0.20	X.XX"	±2.0"	APPROVED	HUXW		180725	MODEL	
X.XXX	±0.10	X.XXX"	±1.0"	THIS DRAWING CONTAINS INFORMATION THAT IS PROVIDED BY LASTAR TECHNOLOGY AND SHOULD NOT BE USED WITHOUT WRITTEN PERMISSION			UNIT: mm		
							SHEET: N/A		
							REV. B		
							SCALE N/A		